

# TSM Series Telescopic Masts

## OVERVIEW

Our telescopic mast assistors use an ultra-low friction roller guide system providing excellent balance and powered lift performance in a lightweight, compact package

- Capacity from 5kg to 150kg
- Up to 1600Nm moment capacity
- Up to 2000mm lift range
- 360° slewing
- A large range of standard accessories
- Low friction lift
- Lightweight
- Fully pneumatic with powered or balanced lifting

Mast assistors are an alternative to parallel arms and are typically installed on lightweight aluminium gantry crane systems. This provides low movement forces with a potentially limitless area coverage. With a high moment capacity these assistors are ideal when the lifted load is offset from the mast centreline, or where lifted parts require orientation changes during lifting

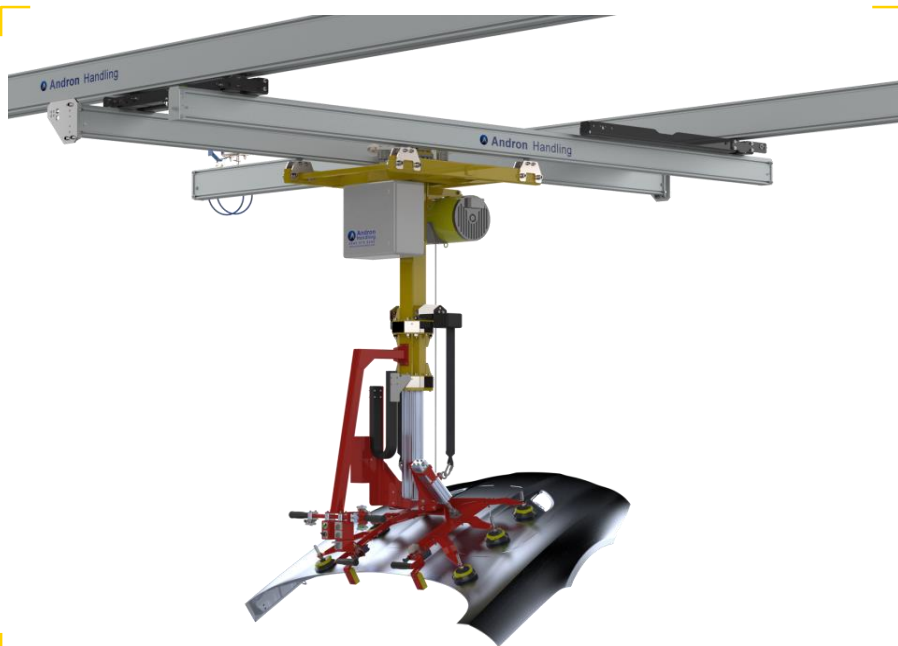


UP TO  
**150**  
KG

UP TO  
**2m**  
LIFT

UP TO  
**1.6kNm**  
MOMENT

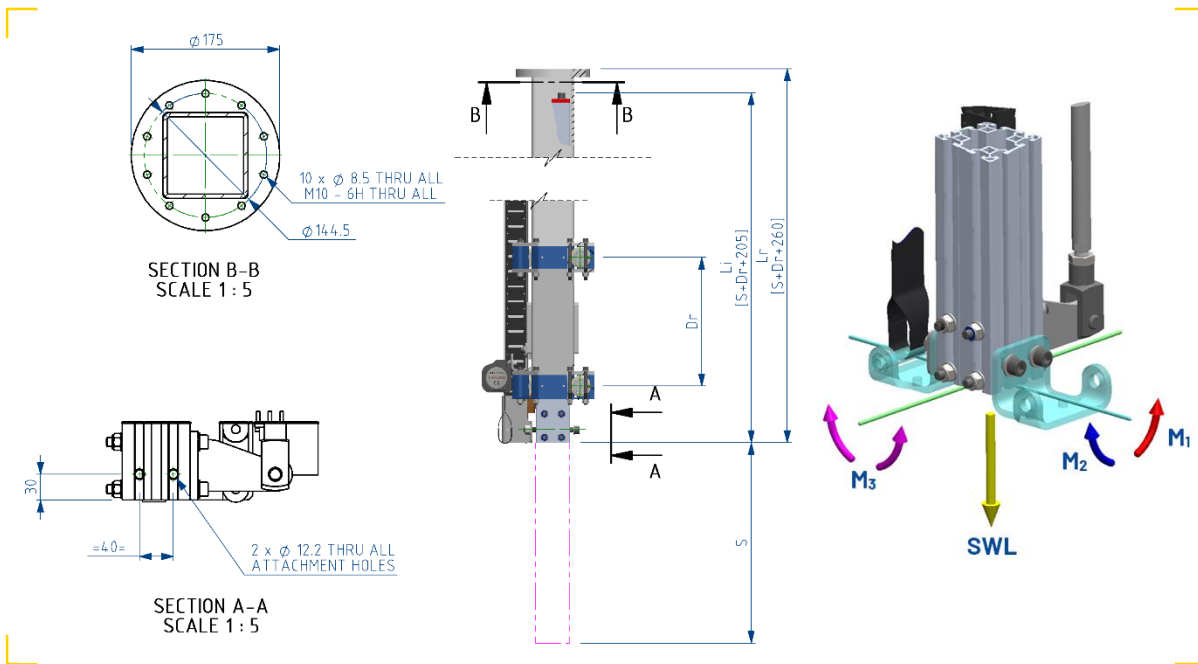
Base telescopic mast unit.



Hood fit to vehicle assistor, mounted on light aluminium crane, with bespoke tilting gripper unit.



Vacuum manipulator for transfer of aerospace engine components.



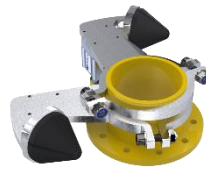
	$P_{in}$ (bar)	SWL (kg)	$M_1$ (Nm)	$M_2$ (Nm)	$M_3$ (Nm)	Approx. Weight (kg)
S = 1000 $D_r = 300$	4.0	75	620	850	735	67
	5.0	100	580	885		
	6.0	120	550	915		
	7.0	145	510	955		
S = 1000 $D_r = 450$	4.0	75	985	1215	1100	68
	5.0	100	950	1255		
	6.0	120	920	1285		
	7.0	145	880	1325		
S = 1000 $D_r = 600$	4.0	75	1355	1585	1470	69
	5.0	100	1315	1610		
	6.0	120	1285	1610		
	7.0	145	1245	1610		



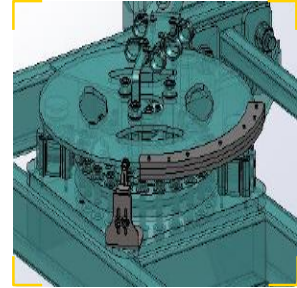
Light Crane Systems



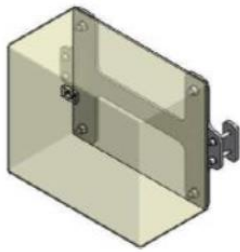
Carriages



Adjustable Rotation Stop



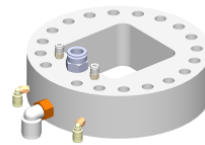
Rotation Angle Sensor



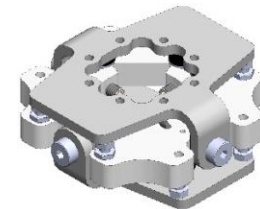
Pneumatic Cabinet Mounting



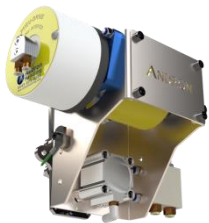
Inertia Reel Kit



Low Profile Manifold



Gimbal Kit



Pneumatic Travel Drives