

Quick-Lift Arm

QLA 100i OVERHEAD MOUNTED

Intelligent lifting device which meets the highest standards of ergonomics, working environment, safety and efficiency.

Unique integrated mechanical, electric, pneumatic swivel simplifies use and minimizes maintenance.

Easy to use thanks to outstanding responsiveness, regardless of load weight.

Exceptional safety achieved using our intelligent control systems.

The best auto balance available regardless of load weight.

High reliability and low power consumption results in superior cost efficiency.

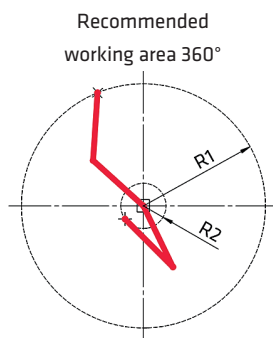
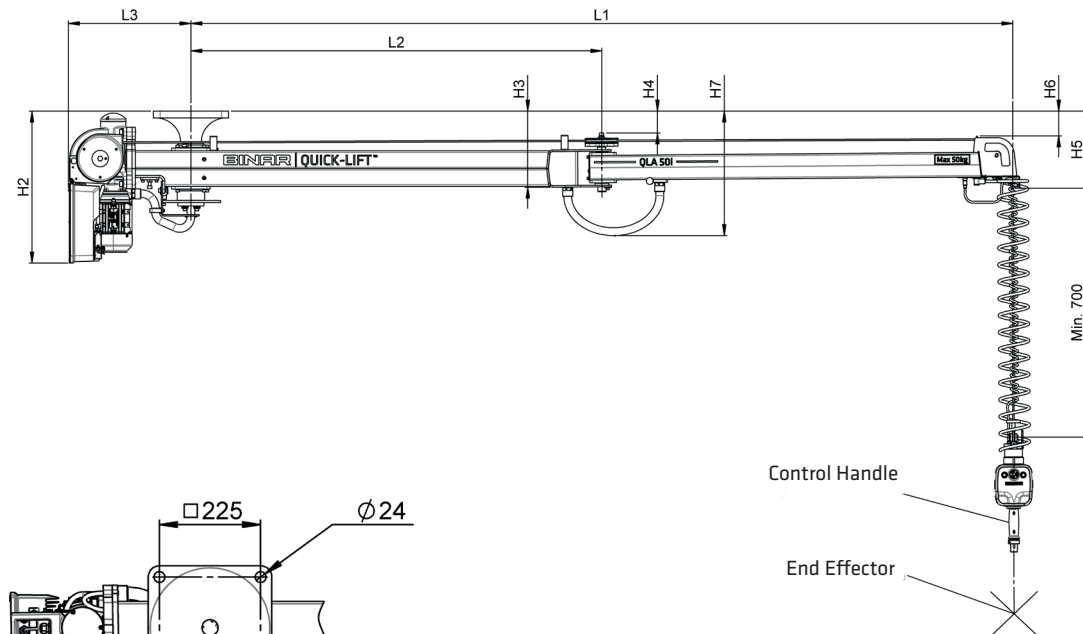
UK distributor



BINAR
Improving your productivity

Quick-Lift Arm

QLA 100i
OVERHEAD MOUNTED



TECHNICAL DATA QLA 100i OVERHEAD MOUNTED	
Lifting capacity	Max 100 kg.
Working area	Max recommended working radius R1 = L1 - 300 mm. Min recommended working radius R2 = See chart.
Stroke length	2,7 meter.
Lift motor	Stepless servo-controlled asynchronous motor.
Power supply	230V, 50-60 Hz, 1-phase with ground protection, 10A.
Hinged arm	Arm profiles in Ultra High Strength Steel (UHSS). Available in 3 standard lengths; 3, 4 and 5 m.
Attachment	The arm is designed with a flange that is to be mounted to a mating flange in the overhead steel structure.
Manoeuvring	Manoeuvring is done with Binar Quick-Lifts patented control handle. Only a small force is needed to engage the up/down motion. When the operator let go of the handle, the up/down motion is immediately stopped.
End effector	End effectors are designed to fit customers need. Intelligent I/O signals are available for optimum functionality.
Options	Middle link, 200 mm for triple hinged arm. Note: The maximum working radius does not increase. Pneumatic parking brake for arm. The brake function is activated via a manual push button on the control handle. Middle link and pneumatic parking brake can not be combined.

Binar Quick-Lift Systems AB disclaims responsibility for any errors or incomplete information in the published material and reserves the right to make changes.

Product	Part.no	L1	L2	L3	H2	H3	H4	H5	H6	H7	R1	R2
QLA 100i OM 3m	101122	3000	1500	445	552	352	76	270	86	600	2700	500
QLA 100i OM 4m	101123	4000	2000	454	548	399	73	280	78	640	3700	1000
QLA 100i OM 5m	101124	5000	2500	454	548	399	73	276	75	640	4700	1200

Control handle to be ordered separately. Please contact your distributor for a copy of the technical requirements for the overhead steel structure. The requirements are listed in the documentation; incorporated are ultimate loads and maximum permitted deflections of the overhead steel.

UK Distributor

Andron Handling Limited

Unit 7, Globe Business Park • First Avenue • Marlow • Buckinghamshire SL71YA • UK
telephone: +44 0845 075 8200 • e-mail: sales@andronhandling.com
www.andronhandling.com

2019-10-24 EN 3.0

BINAR
Improving your productivity