

Ergo-Glass with Rotation (EGR)

Lifting Capacity: 80/150/240kg

The Ergo-Glass end effector that, when integrated in Quick-Lift System[®], meets the highest standards of ergonomics, working environment, safety and efficiency.

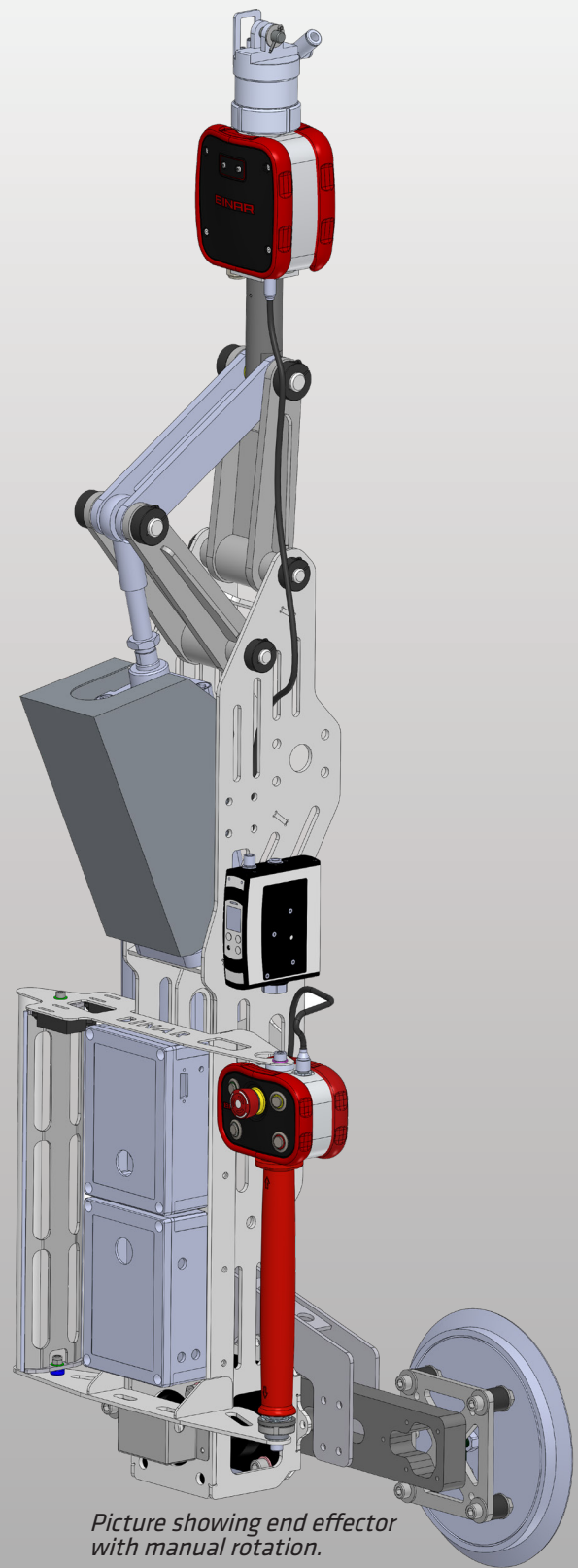
Easy to use, thanks to outstanding responsiveness, regardless of load weight. High cost efficiency through built in energy save function, high reliability and long durability.

The sensitive manoeuvre handle provides the operator a precise and controlled movement of the glass panel.

The position of the suction cups can be configured according to the dimensions of the glass panel.

Maximum security due to a combination of sound and visual alarms activated in case of pressure drop or lack of vacuum.

With integrated “anti-drop” and energy saving as standard this end effector provides a first class solution.



Picture showing end effector with manual rotation.

UK distributor

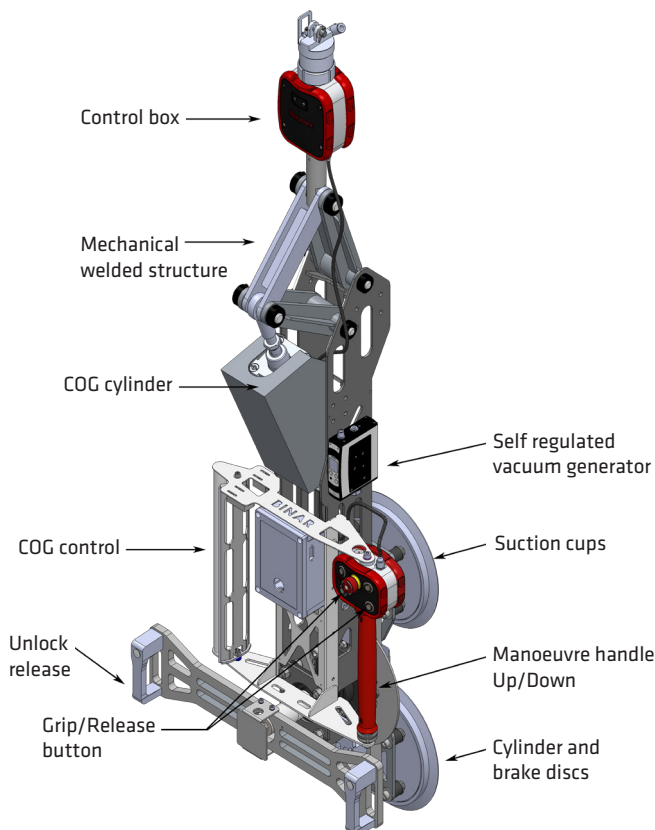
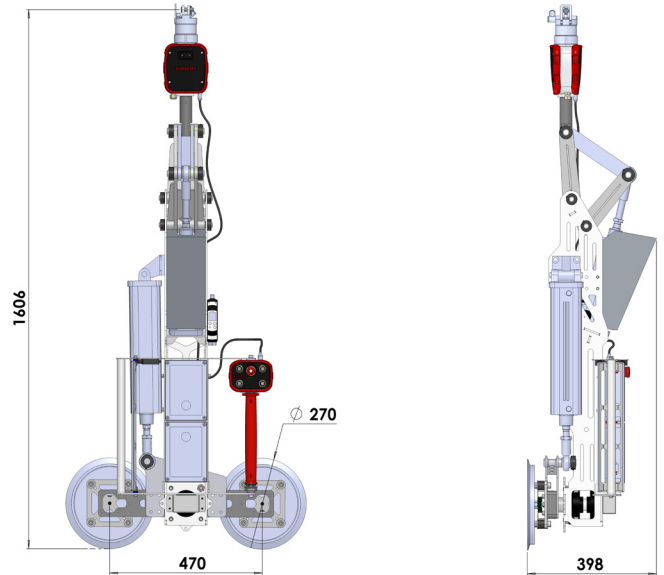
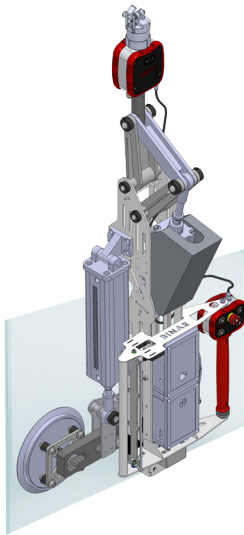


BINAR
Improving your productivity

Ergo-Glass with Rotation (EGR)

Lifting Capacity: 80/150/240kg

The figures are to be seen as indications and may vary depending on handling application



Picture showing end effector with manual rotation.

TECHNICAL DATA

Description	<p>Equipped with fixed two round suction cups.</p> <p>The control handle provides a logic and simple interface for the operator for up and down movement as well push buttons for grip and release of the glass panels.</p> <p>The control box at the top provides setting of adjustable speed depending of the application.</p> <p>Manual rotation of glass panels.</p> <p>Pneumatic controlled centre of gravity (COG).</p> <p>Main direction of suction cups is to be defined. Degree of rotation is 0-180°.</p>
Lifting capacity	Glass panels : 80/150/240 kg depending on configuration of the suction cups.
End effector weight	55 kg Max, with manual rotation. 61 kg Max, with pneumatic rotation option.
Air supply	Clean dry air, pressure 6-8 bar.
Safety	<p>2 suction cups with a safety factor of 4.</p> <p>Both audio (buzzer) and visual (red lamp) indication when insufficient vacuum.</p> <p>Up movement is automatically restricted when too low vacuum is detected.</p> <p>Load is continuously supervised by the Quick-Lift and can only be released once end effector is landed on surface.</p>
Options	<p>Additional pneumatic cylinder built in for inclination (approx 10°).</p> <p>Vacuum tank (in case of insufficient vacuum).</p> <p>Pneumatically controlled rotation of glass panels.</p> <p>Degree of rotation 0-90°.</p>

Binar Quick-Lift disclaims responsibility for any errors or incomplete information in the published material and reserves the right to make changes

UK Distributor

Andron Handling Limited

Unit 7, Globe Business Park • First Avenue • Marlow • Buckinghamshire SL7 1YA • UK

telephone: +44 0845 075 8200 • e-mail: sales@andronhandling.com

www.andronhandling.com

2019-11-01 EN

BINAR

Improving your productivity